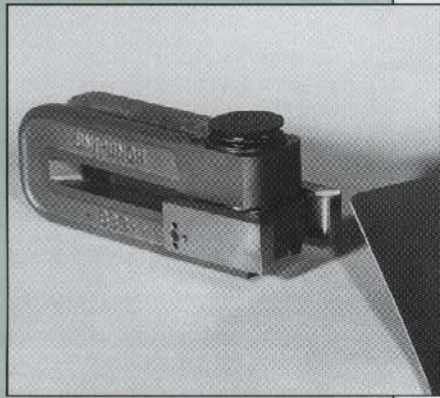


4000 SERIES

Radius Tool

For Radii from 1/16" (1.6mm) to 1/2" (12.7mm)



The UniPunch 4000 Series Radius Tool uses a modified C-Frame holder that allows the production of eight different radii.

This Unit is furnished complete with holder, built in squaring guides and two interchangeable Punch and Die sets.

Sizes can be selected simply by rotating the Punch and Die Assembly. Gaging and die clearance are preset and require no adjustment.

Note: Metric radius sizes are available upon request, contact UniPunch Quotation Department for pricing.

SPECIFICATIONS & OPERATING INSTRUCTIONS

OPERATING SHUT HEIGHT: 5-1/2" (139.7mm)

MIN. SHUT HEIGHT: 5-5/16" (134.9mm)

UNIT OPEN HEIGHT: 5-7/8" (149.2mm)

DIE HEIGHT: 2-19/32" (65.9mm)

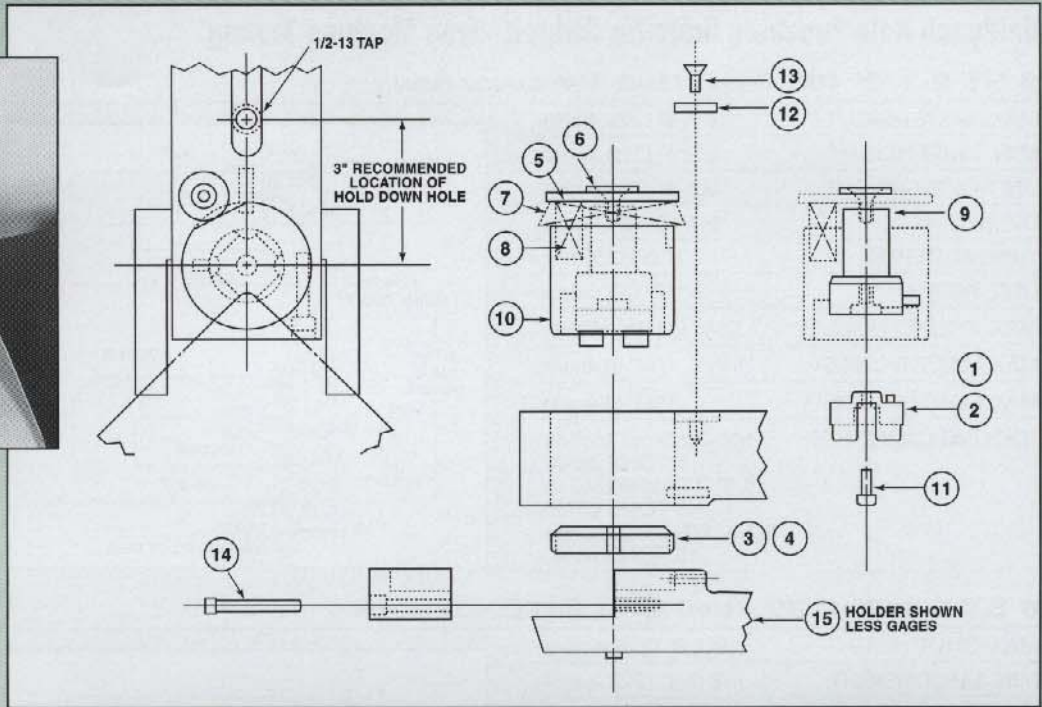
MATERIAL FEED CLEARANCE: 7/32" (5.5mm)

UNIT CAP.: 1/16" (1.6mm) to 1/4" (6.4mm) radius
14 GA. mild steel (1.9mm)
.032 stainless steel (.81mm)

UNIT CAP.: 5/16" (7.9mm) to 1/2" (12.7mm) radius
10 GA. mild steel (3.4mm)
16 GA. stainless steel (1.6mm)

RADIUS SIZES:

SET #1-1/16, 1/8, 3/16 & 1/4" rad. (1.6, 3.1, 4.8, 6.4mm)
SET #2-5/16, 3/8, 7/16 & 1/2" rad. (7.9, 9.5, 11.1, 12.7mm)



ITEM	DESCRIPTION	CAT. NO.	PRICE
A	Unit Complete with Punch & Die Sets for four standard radii with Set #1 - 1/16", 1/8", 3/16" and 1/4" Radius	4000-1	
B	Unit Complete with Punch & Die Sets for four standard radii with Set #2 - 5/16", 3/8", 7/16" and 1/2" Radius	4000-2	
C	Unit Complete with Punch & Die Sets for eight standard radii with Sets #1 & 2	4000	
1	Punch for radii from 1/16" thru 1/4"	4025-100	
2	Punch for radii from 5/16" thru 1/2"	4050-100	
3	Die for radii from 1/16" thru 1/4"	4025-200	
4	Die for radii from 5/16" thru 1/2"	4050-200	
5	Punch Head	3671	
6	Punch Screw	91240	
7	Lifter Spring	3670	
8	Stripping Spring (set of 3)	3642	
9	Punch Adapter	4015	
10	Guide	4035	
11	Screw (Punch Tip)	91010	
12	Guide Retainer	1030	
13	Screw (Guide Retainer)	91220	
14	Screw (Die Block) (2 Req'd)	91014	
15	Special Holder Only (Including Gaging Plates)	4056	

ADDL. PRODUCT

UNIPUNCH

Exacta Precision Ltd. Toll Free Tel: 1.800.268.5573 Email Info@exactapunch.com