

Interchangeable with

# Strippit® & Amada

## UniPunch Hole Punching Units for Strippit® and Amada Style Tooling

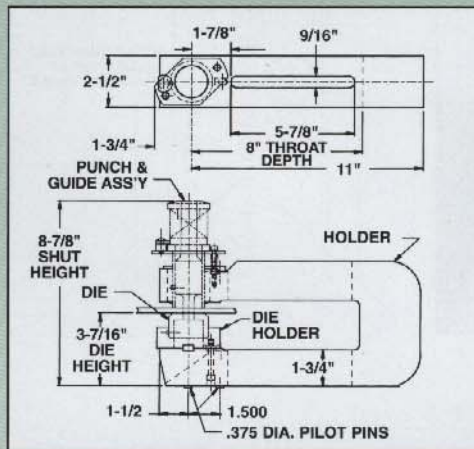
Now you can use your Strippit® style thin or Amada style thick tooling in a Punch Press or Press Brake! UniPunch has designed two types of C-Frame Hole Punching Units that can use your existing Strippit® style 1/2" (12.7mm), 5/8" (15.9mm), 1 1/4" (31.7mm),

and 3 1/2" (88.9mm) tooling, and one Unit for Amada style 1 1/4" (31.7mm) tooling. These Units can be set up in your press to quickly and easily produce one hole or a series of holes. Use your existing Tooling Rounds or Shapes per specifications listed.

## UniPunch Hole Punching Units for Strippit® Type Machine Tooling

### 8 ST 2-1/2" (63.5MM) UNIT SPECIFICATIONS

MAX. SHUT HEIGHT:	8-7/8" (225.4mm)
MIN. SHUT HEIGHT:	8-3/4" (222.2mm)
UNIT OPEN HEIGHT:	9-1/4" (234.9mm)
DIE HEIGHT:	3-7/16" (87.3mm)
THROAT DEPTH:	8" (203.2mm)
UNIT WIDTH:	2-1/2" (63.5mm)
MAX. ROUND HOLE:	1.250" (31.7mm) Dia.
MAX. MAT. THIK. (M.S):	1/4" (6.4mm)
MAX. MAT. THIK. (S.S):	3/32" (2.4mm)
TOOLING CAPACITIES:	1/2" (12.7mm) tooling 5 TONS MAX. 5/8" (15.9mm) tooling 10 TONS MAX. 1-1/4" (31.7mm) tooling 15 TONS MAX.



8ST 2-1/2" units use standard UniPunch "ST" or Strippit® style 1 1/4" (31.7mm) station round or shaped tooling and also standard 1/2" (12.7mm) and 5/8" (15.87mm) drop in assemblies.

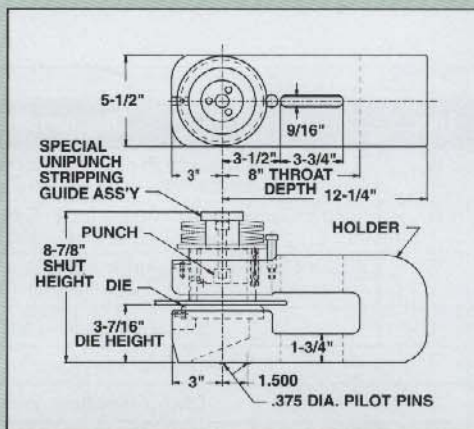
### 8 ST 2-1/2" \*

Description	Cat. No.	Price
1/2" (12.7mm), 5/8" (15.9mm), and 1 1/4" (31.7mm) Tooling Unit Complete (less Punch and Die)	8685	

\*Shipping Weight 32 lbs.

### 8 ST 5-1/2" (139.7MM) UNIT SPECIFICATIONS

MAX. SHUT HEIGHT:	8-7/8" (225.4 mm)
MIN. SHUT HEIGHT:	8-3/4" (222.2mm)
UNIT OPEN HEIGHT:	9-7/16" (239.7mm)
DIE HEIGHT:	3-7/16" (87.3mm)
THROAT DEPTH:	8" (203.2mm)
UNIT WIDTH:	5-1/2" (139.7mm)
MAX. ROUND HOLE:	3.500" (88.90mm) Dia.
MAX. SHAPED HOLE:	Within 3-1/2" (88.90mm) DIA. MAX.
MAX. MAT. THIK. (M.S):	1/4" (6.4mm)
MAX. MAT. THIK. (S.S):	3/32" (2.4mm)
TOOLING CAPACITIES:	40 TONS MAX.



8ST 5-1/2" units use standard UniPunch "ST" or Strippit® style 3 1/2" (88.9mm) station round or shaped Punches and Dies.

### 8 ST 5-1/2" \*

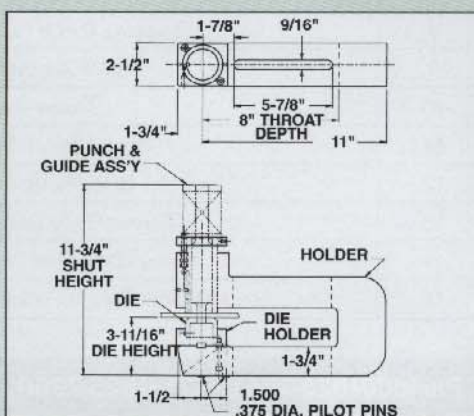
Description	Cat. No.	Price
3 1/2" (88.9mm) Tooling Unit Complete (less Punch and Die)	9685	

\*Shipping Weight 84 lbs.

## UniPunch Hole Punching Units for Amada Type (Thick Turret) Tooling

### 8 AT 2-1/2" (63.5MM) UNIT SPECIFICATIONS

MAX. SHUT HEIGHT:	11-3/4" (298.4mm)
MIN. SHUT HEIGHT:	11-5/8" (295.3mm)
UNIT OPEN HEIGHT:	12-1/4" (311.1mm)
DIE HEIGHT:	3-11/16" (93.6mm)
THROAT DEPTH:	8" (203.2mm)
UNIT WIDTH:	2-1/2" (63.5mm)
MAX. ROUND HOLE:	1.250" (31.75mm) Dia.
MAX. MAT. THIK. (M.S):	1/4" (6.4mm)
MAX. MAT. THIK. (S.S):	3/32" (2.4mm)
TOOLING CAPACITIES:	1-1/4" (31.7mm) tooling 15 TONS MAX.



### 8 AT 2-1/2" \*

Description	Cat. No.	Price
1 1/4" (31.7mm) Tooling Unit Complete (less Punch and Die)	10185	

\*Shipping Weight 35 lbs.

ADDL. PRODUCT

**UNIPUNCH**