

6500 SERIES

Angle Cutoff Units

UniPunch Angle Cutoff Units are a self-contained (2 post) Die Set with pressure pads front and rear. There are (2) hold down holes for easy mounting on a Plate or Press Bed. This unit can be mounted on a Press or Press Brake as a stand alone-cut to length tool for angle cutoff applications on structural angle iron up to 2" x 2" x 1/4" max.

Note: Punch & Die steels on Angle Cutoff Units are not interchangeable. Units must be returned to factory for replacement. Spare Punch & Die steels can be supplied with new Units.

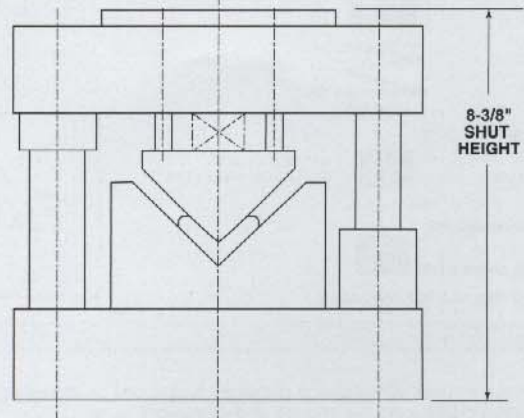
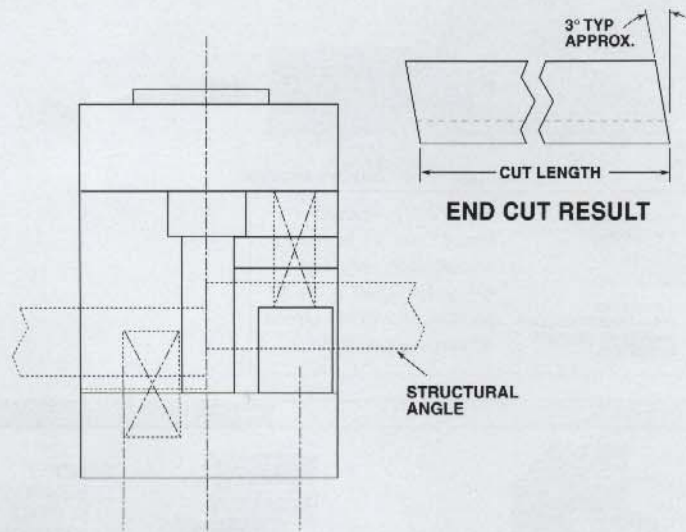
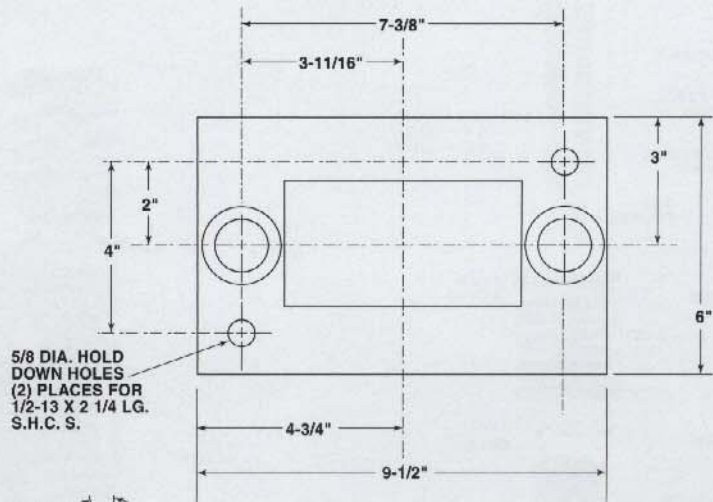
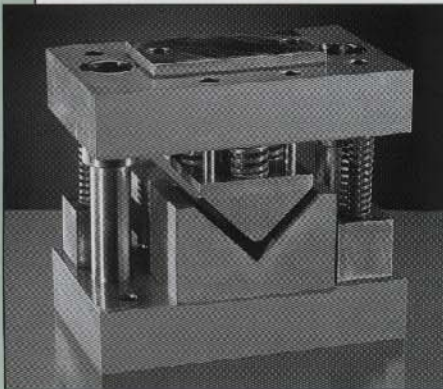
SPECIFICATIONS & OPERATING INSTRUCTIONS

OPERATING SHUT HEIGHT:	8-3/8" (212.7mm)
MIN. SHUT HEIGHT:	8-3/16" (208.0mm)
UNIT OPEN HEIGHT:	9-1/8" (231.7mm)
DIE HEIGHT:	3-1/16" (77.8mm)

MIN. DIE CLEARANCE:	Die Clearance is preset at factory
MAX. MATERIAL THICKNESS (MILD STEEL):	1/4" (6.4mm)
MAX. ANGLE DIMENSION:	2" x 2" x 1/4" (50.8 x 50.8 x 6.4mm) structural angle

COMPLETE UNITS

Catalog No.	Price	Shipping Weight
6500		98 lbs.



ADDL. PRODUCT

UNIPUNCH

Exacta Precision Ltd. Toll Free Tel: 1.800.268.5573 Email Info@exactapunch.com