

SPECIFICATIONS & OPERATING INSTRUCTIONS

OPERATING SHUT HEIGHT:	5-1/2" (139.7mm)
MIN. SHUT HEIGHT:	5-5/16" (134.9mm)
UNIT OPEN HEIGHT:	5-7/8" (149.2mm)
DIE HEIGHT:	2-19/32" (65.9mm)
MIN. MATERIAL THICKNESS:	22 GA. (.76mm)

MIN. DIE CLEARANCE:	Die Clearance is preset at factory
MAX. MATERIAL THICKNESS (MILD STEEL):	10 GA. / .134" (3.4mm)
MAX. MATERIAL THICKNESS (STAINLESS STEEL):	1/16" (1.6mm)

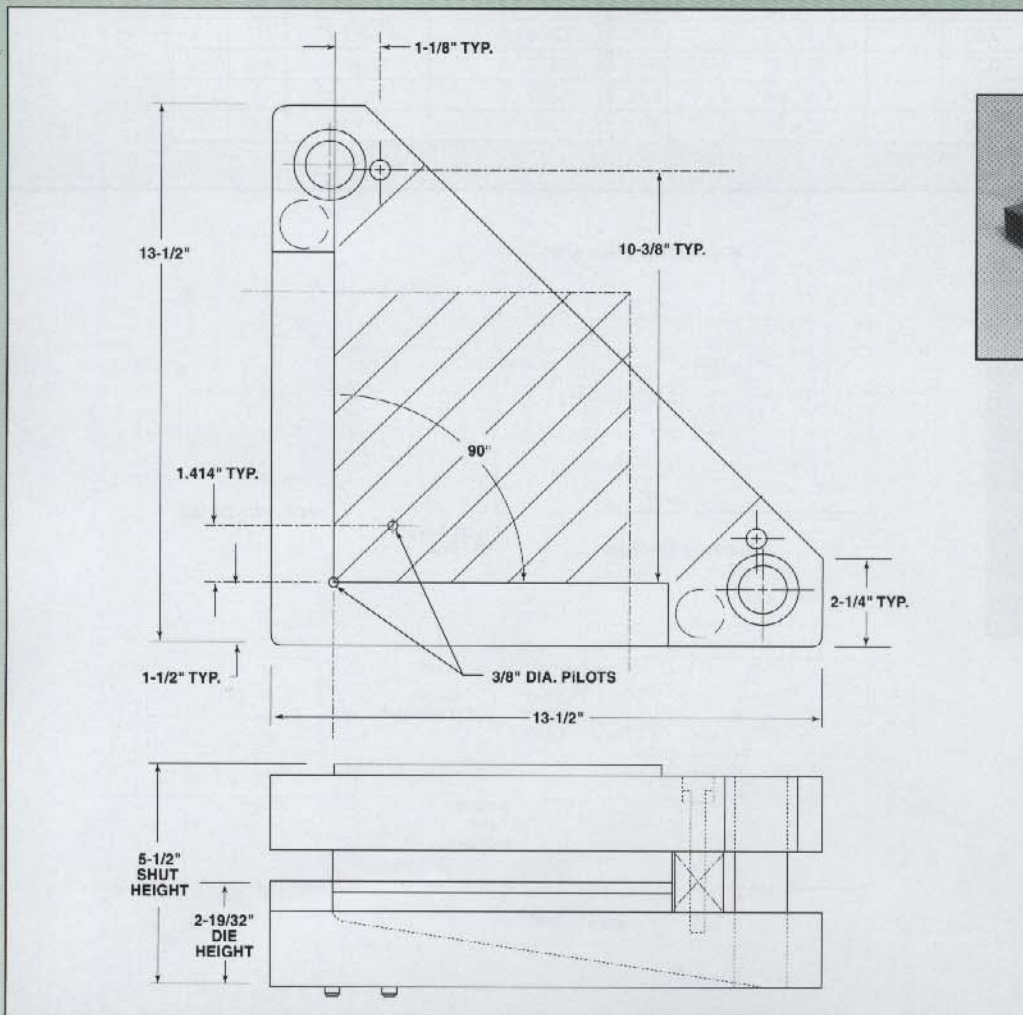
7180 SERIES

Corner Notch Unit

7180 "B" Series 8" x 8" / 90° Corner Notch Unit

COMPLETE UNIT		COMMON DIMENSIONS		
Catalog No.	Price	Max. Notch (Corner)	Max. 'V' Notch	Shipping Weight
7180		8" x 8" / 90°	5 1/2" Deep / 90°	168 lbs.

Note: Punch & Die steels on 7180 Corner Notch Units are not interchangeable. Unit must be returned to factory for replacement. Spare Punch & Die steels can be supplied with new Unit.



The "B" series 8" x 8" Notch Unit has been designed to produce notch sizes over our standard 5" x 5" Corner Notch Units. The Unit is completely compatible with all of the products in our "B" Series line of Tooling. Gages sold separately. See below.

B SERIES

Gages for 7180 Notching Unit

GAGE ASSEMBLY WITH BUILT IN SCALES AND ADJUSTABLE STOPS

Catalog No.	Price
7160*	

*Includes mounting screws for attachment to holder and gage plates

