

# SPECIFICATIONS & OPERATING INSTRUCTIONS

OPERATING SHUT HEIGHT:	5-1/2" (139.7mm)
MIN. SHUT HEIGHT:	5-5/16" (134.9mm)
UNIT OPEN HEIGHT:	5-7/8" (149.2mm)
DIE HEIGHT:	2-19/32" (65.9mm)
MATERIAL FEED CLEARANCE:	7/32" (5.5mm)
MAX. MATERIAL THICKNESS (MILD STEEL):	10 GA. / .134" (3.4mm)

MIN. DIE CLEARANCE:	.006" (.15mm)
MAX. PUNCH DIAMETER:	1.000" (25.40mm)
MIN. PUNCH DIAMETER:	.250" (6.35mm)
MAX. SQUARE:	.707" (17.96mm)
MIN. SHAPE DIMENSION:	.0937" (2.38mm)
MAX. MATERIAL THICKNESS (STAINLESS STEEL):	1/16" (1.6mm)

# BX-2 1/4"

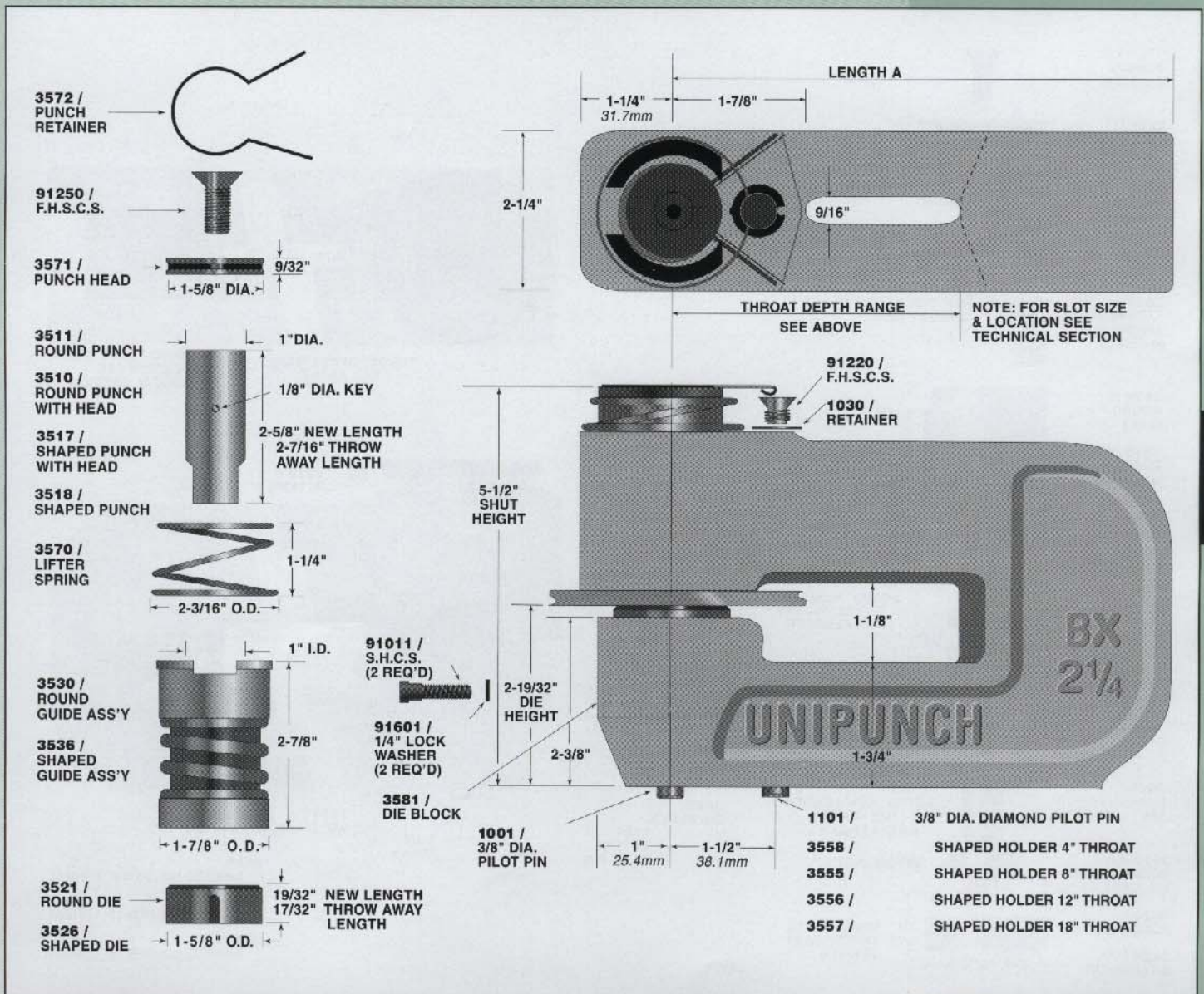
57mm width

	ROUND UNITS			*SHAPED UNITS			COMMON DIMS.		
	Model No.	Catalog No.	Price	Model No.	Catalog No.	Price	Throat Depth	Length A	Shipping Weight
<b>BASE UNITS LESS PUNCH &amp; DIE</b>	4BX-2 1/4-LPD	3542-LPD		4SBX-2 1/4-LPD	3546-LPD		4"	7"	17 lbs.
	8BX-2 1/4-LPD	3543-LPD		8SBX-2 1/4-LPD	3547-LPD		8"	11"	24 lbs.
	12BX-2 1/4-LPD	3544-LPD		12SBX-2 1/4-LPD	3548-LPD		12"	15"	29.5 lbs.
	18BX-2 1/4-LPD	3545-LPD		18SBX-2 1/4-LPD	3549-LPD		18"	21"	42.5 lbs.
<b>COMPLETE UNITS (Includes Punch &amp; Die)</b>	4BX-2 1/4	3542		4SBX-2 1/4	3546		4"	7"	18 lbs.
	8BX-2 1/4	3543		8SBX-2 1/4	3547		8"	11"	24.5 lbs.
	12BX-2 1/4	3544		12SBX-2 1/4	3548		12"	15"	30 lbs.
	18BX-2 1/4	3545		18SBX-2 1/4	3549		18"	21"	43 lbs.

\*To order a shaped unit with round punch & die, add the suffix "- RPD"

## KITS AND SHIMS

Shaped hole conversion kit:	7137 /
Key kit:	9317 /
Hardware kit:	9374 /
Punch shim:	1082-12 pk. / 1082-48 pk. / 1/16" thk./3 max.
Die shim:	1194-12 pk. / 1194-48 pk. / 1/16" thk./1 max.



Exacta Precision Ltd. Toll Free Tel: 1.800.268.5573 Email Info@exactapunch.com

**UNIPUNCH**