

# OA-6<sup>®</sup>

139.7mm width

## SPECIFICATIONS & OPERATING INSTRUCTIONS

OPERATING SHUT HEIGHT:	8-3/8" (212.7mm)
MIN. SHUT HEIGHT:	8-3/16" (208.0mm)
UNIT OPEN HEIGHT:	9-5/8" (244.5mm)
DIE HEIGHT:	3-1/2" (88.9mm)
MATERIAL FEED CLEARANCE:	5/8" (15.9mm)
MAX. MAT. THK. (M.S.):	3/8" (9.5mm)
MIN. DIE CLEARANCE:	.018" (.46mm)

MAX. PUNCH DIAMETER:	2.000" (50.80mm) in 3/8" (9.5mm) M.S.
	3.000" (76.20mm) in 1/4" (6.4mm) M.S.
	4.000" (101.60mm) in 3/16" (4.8mm) M.S.
MIN. PUNCH DIAMETER:	1.500" (38.1mm)
MAX. SQUARE:	2.828" (71.83mm)
MIN. SHAPE DIMENSION:	.250" (6.35mm)
MAX. MAT. THK. (S.S.):	5/32" (4.0mm)

### KITS AND SHIMS

All OA-6 units furnished with Shaped Driver

Key kit: 9314 /

Hardware kit: 9361 /

Punch shim:

For rounds 1109-12 pk. /  
2-1/4" dia. 1109-48 pk. /  
& less: 1/16" thk./3 max.

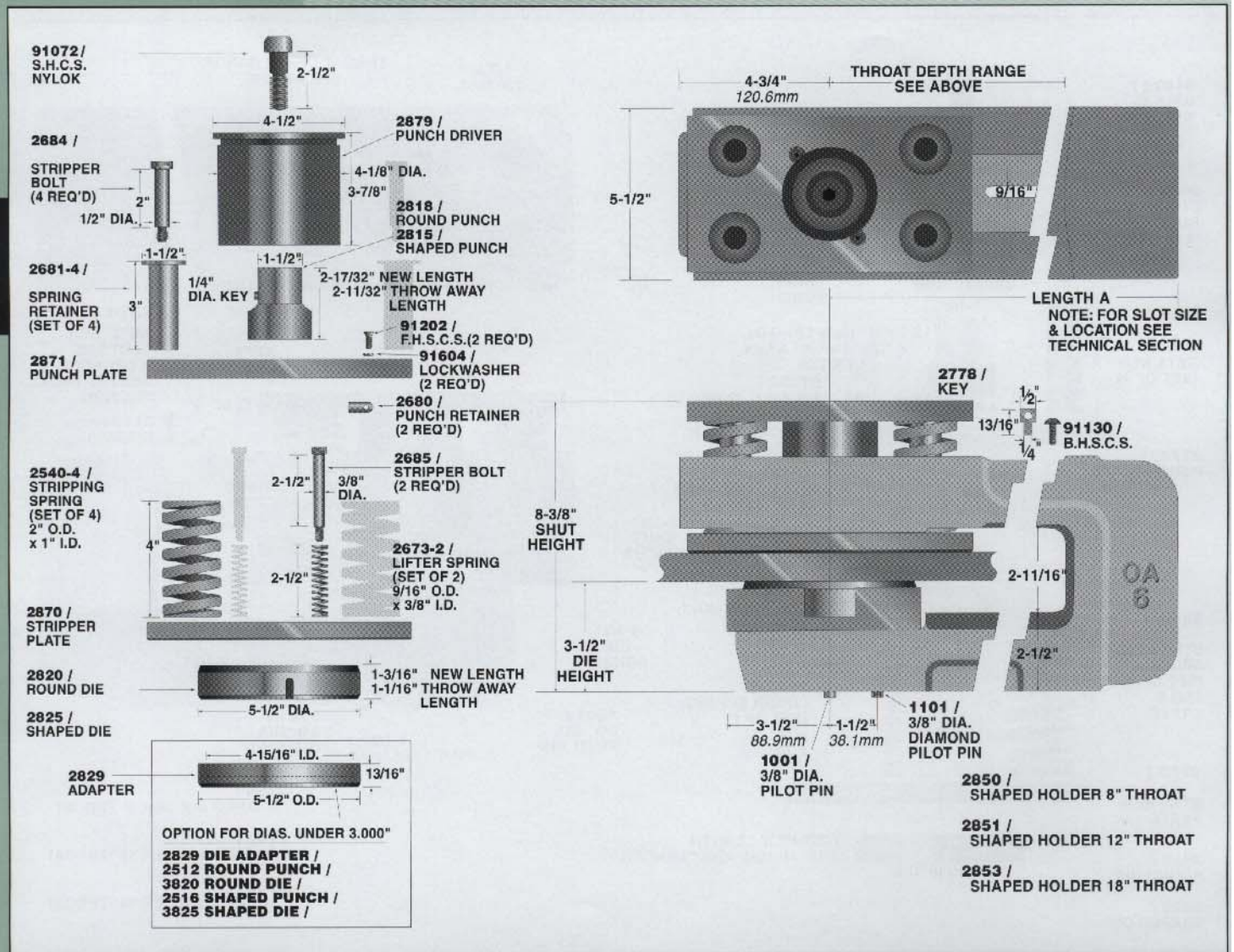
For rounds  
> 2-1/4" dia. 1197-12 pk. /  
& all shapes: 1/16" thk./3 max.

Die shim: N.A.

	ROUND UNITS			*SHAPED UNITS			COMMON DIMS.		
	Model No.	Catalog No.	Price	Model No.	Catalog No.	Price	Throat Depth	Length A	Shipping Weight
<b>BASE ASSEMBLIES LESS PUNCH &amp; DIE</b>	80A-6-LPD	2800-LPD		8SOA-6-LPD	2805-LPD		8"	12 1/2"	119 lbs.
	120A-6-LPD	2801-LPD		12SOA-6-LPD	2806-LPD		12"	16 1/2"	139 lbs.
	180A-6-LPD	2802-LPD		18SOA-6-LPD	2813-LPD		18"	22 1/2"	145 lbs.
<b>COMPLETE UNITS (Includes Punch &amp; Die)</b>	80A-6	2800		8SOA-6	2805		8"	12 1/2"	124 lbs.
	120A-6	2801		12SOA-6	2806		12"	16 1/2"	144 lbs.
	180A-6	2802		18SOA-6	2813		18"	22 1/2"	150 lbs.

\*To order a shaped unit with round punch & die, add the suffix "- RPD"

A SERIES



UNIPUNCH

Exacta Precision Ltd. Toll Free Tel: 1.800.268.5573 Email Info@exactapunch.com