

SPECIFICATIONS & OPERATING INSTRUCTIONS

OPERATING SHUT HEIGHT:	8-3/8" (212.7mm)
MIN. SHUT HEIGHT:	8-3/16" (208.0mm)
UNIT OPEN HEIGHT:	9-5/8" (244.5mm)
DIE HEIGHT:	3-1/2" (88.9mm)
MATERIAL FEED CLEARANCE:	5/8" (15.9mm)
MIN. DIE CLEARANCE:	.018" (.46mm)
MAX. MAT. THK. (M.S.):	1/2" (12.7mm)

MAX. PUNCH DIAMETER:	1.500" (38.10mm) in 1/2" (12.7mm) M.S. 2.000" (50.80mm) in 3/8" (9.5mm) M.S. 3.000" (76.20mm) in 1/4" (6.4mm) M.S.
MIN. PUNCH DIAMETER:	1.000" (25.40mm)
MAX. SQUARE:	2.121" (53.87mm)
MIN. SHAPE DIMENSION:	.1875" (4.76mm)
MAX. MAT. THK. (S.S.):	5/32" (4.0mm)

AH-6"

139.7mm width

	ROUND UNITS			*SHAPED UNITS			COMMON DIMS.		
	Model No.	Catalog No.	Price	Model No.	Catalog No.	Price	Throat Depth	Length A	Shipping Weight
BASE ASSEMBLIES LESS PUNCH & DIE	8AH-6-LPD	2700-LPD		8SAH-6-LPD	2706-LPD		8"	12 1/2"	119 lbs.
	12AH-6-LPD	2701-LPD		12SAH-6-LPD	2707-LPD		12"	16 1/2"	139 lbs.
	18AH-6-LPD	2702-LPD		18SAH-6-LPD	2704-LPD		18"	22 1/2"	145 lbs.
COMPLETE UNITS (Includes Punch & Die)	8AH-6	2700		8SAH-6	2706		8"	12 1/2"	124 lbs.
	12AH-6	2701		12SAH-6	2707		12"	16 1/2"	144 lbs.
	18AH-6	2702		18SAH-6	2704		18"	22 1/2"	150 lbs.

*To order a shaped unit with round punch & die, add the suffix "- RPD"

KITS AND SHIMS

All AH-6 units furnished with Shaped Driver

Key kit: 9309 /

Hardware kit: 9361 /

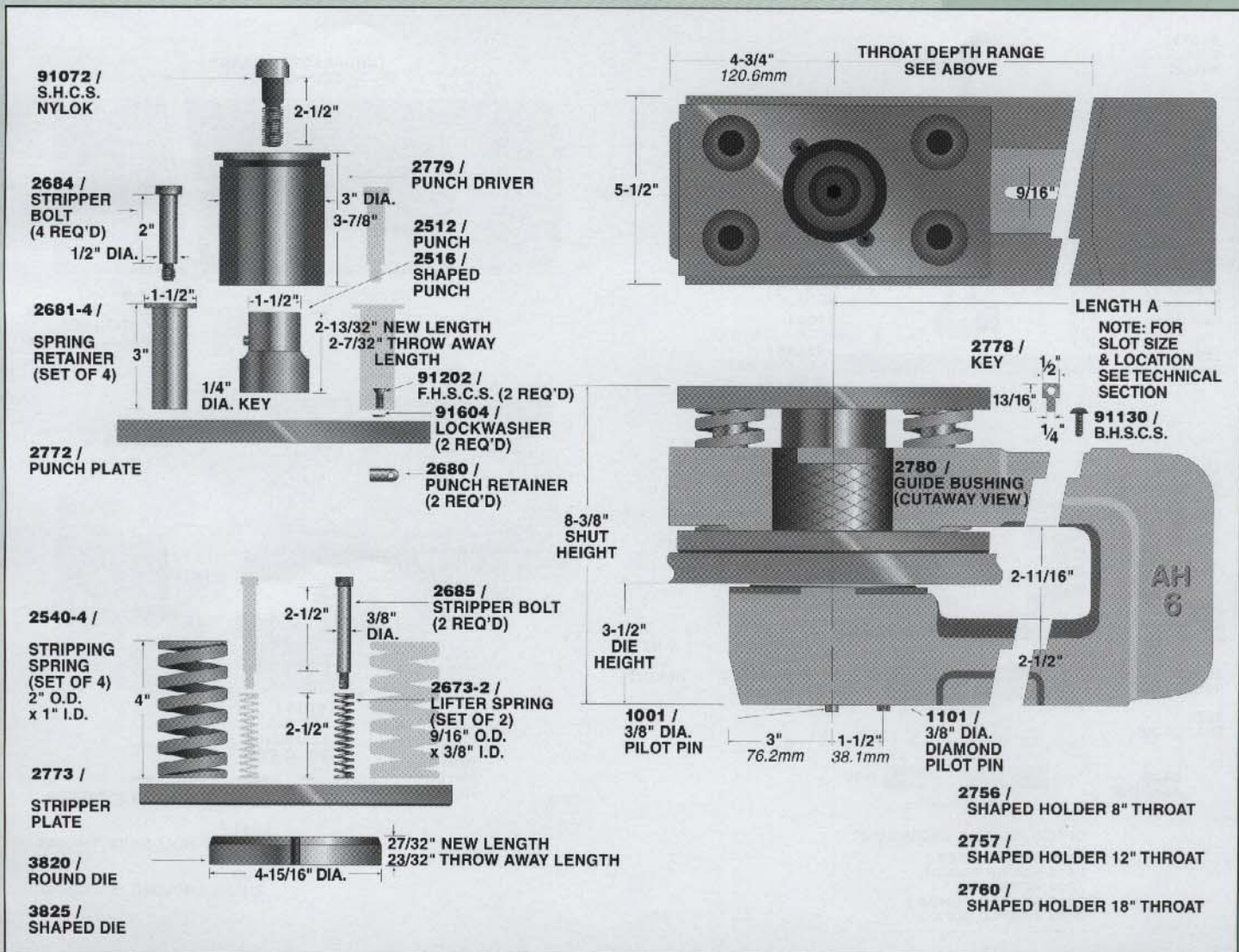
Punch shim:

For rounds 1109-12 pk. /
2-1/4" dia. 1109-48 pk. /
& less: 1/16" thk./3 max.

For rounds
> 2-1/4" dia. 1197-12 pk /
& all shapes: 1/16" thk./3 max.

Die shim: 1128 /
1/16" thk./3 max.

Guide bushing
installation kit: 2065 /



A SERIES