

AH-2 1/2"

63.5mm width

SPECIFICATIONS & OPERATING INSTRUCTIONS

OPERATING SHUT HEIGHT:	8-3/8" (212.7mm)	MIN. DIE CLEARANCE:	.018" (.46mm)
MIN. SHUT HEIGHT:	8-3/16" (208.0mm)	MAX. PUNCH DIAMETER:	1.000" (25.40mm)
UNIT OPEN HEIGHT:	9-3/8" (238.1mm)	MIN. PUNCH DIAMETER:	.2500" (6.35mm)
DIE HEIGHT:	3-1/2" (88.9mm)	MAX. SQUARE:	.707" (17.96mm)
MATERIAL FEED CLEARANCE:	5/8" (15.9mm)	MIN. SHAPE DIMENSION:	.1250" (3.18mm)
MAX. MATERIAL THICKNESS (MILD STEEL):	1/2" (12.7mm)	MAX. MATERIAL THICKNESS (STAINLESS STEEL):	5/32" (4.0mm)

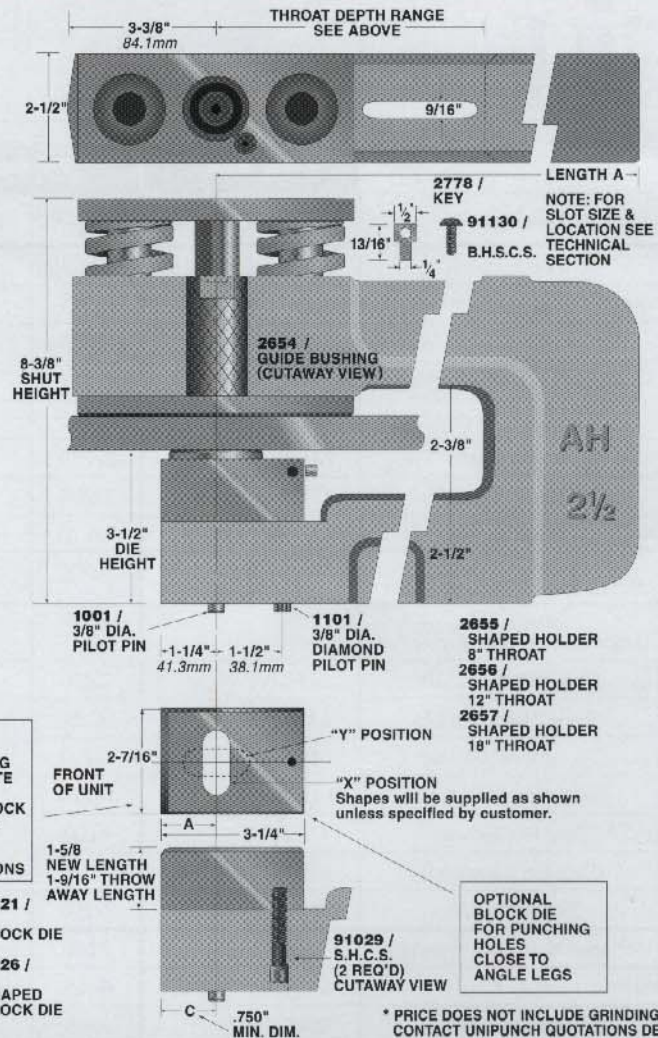
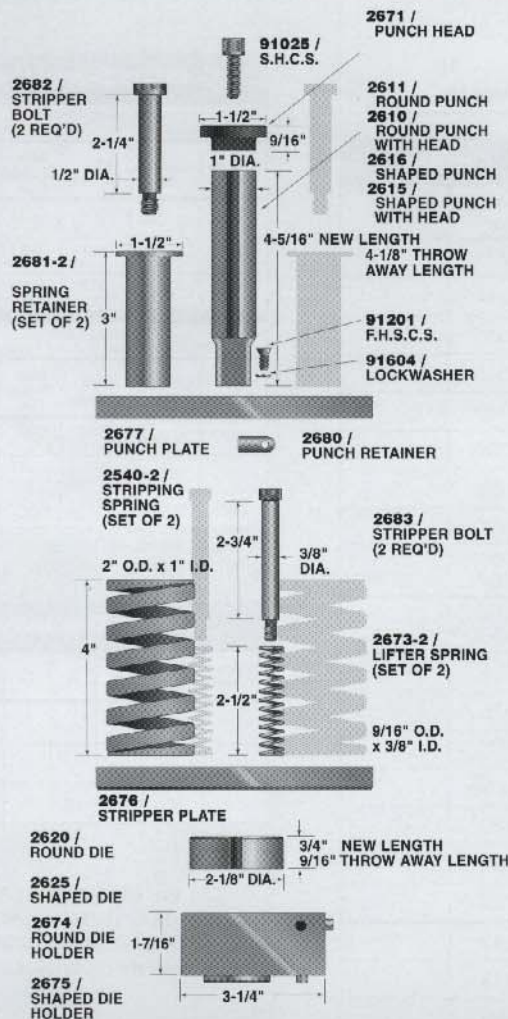
KITS AND SHIMS

Shaped hole conversion kit:	7130 /
Key kit:	9306 /
Hardware kit:	9358 /
Punch shim:	1114-12 pk. / 1114-48 pk. / 1/16" thk./3 max.
Die shim:	1094-12 pk. / 1094-48 pk. / 1/16" thk./2 max.
Guide bushing installation kit:	2065 /

	ROUND UNITS			*SHAPED UNITS			COMMON DIMS.		
	Model No.	Catalog No.	Price	Model No.	Catalog No.	Price	Throat Depth	Length A	Shipping Weight
BASE ASSEMBLIES LESS PUNCH, DIE AND DIE HOLDER	8AH-2 1/2 H-LPDH 12AH-2 1/2 H-LPDH 18AH-2 1/2 H-LPDH	2600-LPDH 2601-LPDH 2602-LPDH		8SAH-2 1/2 LPDH 12SAH-2 1/2 LPDH 18SAH-2 1/2 LPDH	2605H-LPDH 2606H-LPDH 2607H-LPDH		8" 12" 18"	12" 16" 22"	40 lbs. 47 lbs. 56 lbs.
BASE ASSEMBLIES LESS PUNCH & DIE (Includes Die Holder)	8AH-2 1/2 H-LPD 12AH-2 1/2 H-LPD 18AH-2 1/2 H-LPD	2600-LPD 2601-LPD 2602-LPD		8SAH-2 1/2 H-LPD 12SAH-2 1/2 H-LPD 18SAH-2 1/2 H-LPD	2605H-LPD 2606H-LPD 2607H-LPD		8" 12" 18"	12" 16" 22"	42 lbs. 49 lbs. 58 lbs.
COMPLETE UNITS WITH DIE HOLDERS (Includes Punch & Die)	8AH-2 1/2 H 12AH-2 1/2 H 18AH-2 1/2 H	2600H 2601H 2602H		8SAH-2 1/2 H 12SAH-2 1/2 H 18SAH-2 1/2 H	2605H 2606H 2607H		8" 12" 18"	12" 16" 22"	43 lbs. 50 lbs. 59 lbs.
COMPLETE UNITS WITH BLOCK DIES (Includes Punch)	8AH-2 1/2 BD 12AH-2 1/2 BD 18AH-2 1/2 BD	2600BD 2601BD 2602BD		8SAH-2 1/2 BD 12SAH-2 1/2 BD 18SAH-2 1/2 BD	2605BD 2606BD 2607BD		8" 12" 18"	12" 16" 22"	43 lbs. 50 lbs. 59 lbs.

*To order a shaped unit with round punch & die, add the suffix "- RPD"

A SERIES



UNIPUNCH

Exacta Precision Ltd. Toll Free Tel: 1.800.268.5573 Email Info@exactapunch.com