

AJ-2 1/2"

63.5mm width

SPECIFICATIONS & OPERATING INSTRUCTIONS

OPERATING SHUT HEIGHT:	8-3/8" (212.7mm)
MIN. SHUT HEIGHT:	8-3/16" (208.0mm)
UNIT OPEN HEIGHT:	9-1/8" (231.8mm)
DIE HEIGHT:	3-1/2" (88.9mm)
MATERIAL FEED CLEARANCE:	7/16" (11.1mm)
MAX. MATERIAL THICKNESS (MILD STEEL):	1/4" (6.4mm)

MIN. DIE CLEARANCE:	.012" (.30mm)
MAX. PUNCH DIAMETER:	1.250" (31.75mm)
MIN. PUNCH DIAMETER:	.2812" (7.14mm)
MAX. SQUARE:	.883" (22.43mm)
MIN. SHAPE DIMENSION:	.1250" (3.18mm)
MAX. MATERIAL THICKNESS (STAINLESS STEEL):	1/8" (3.18mm)

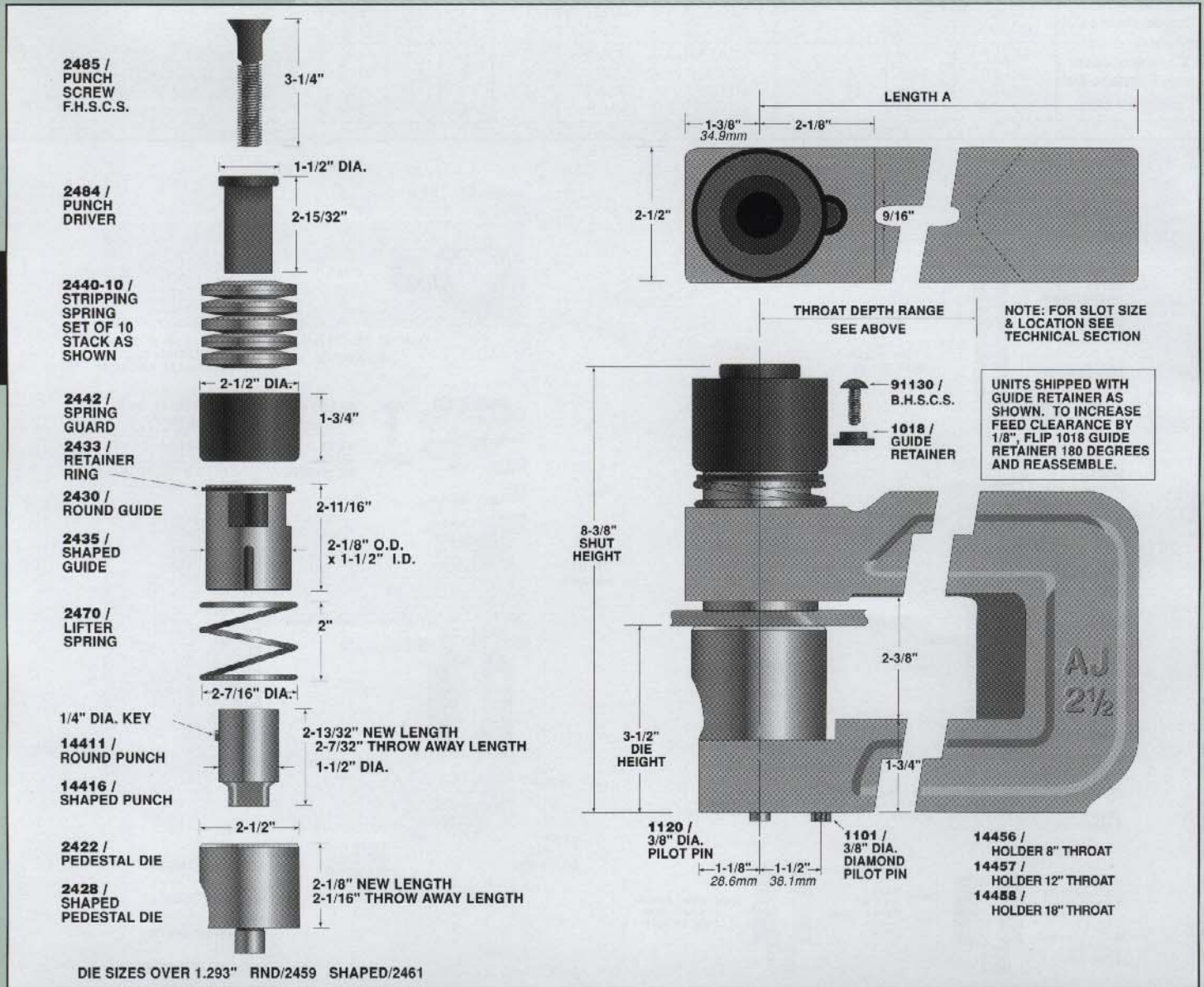
KITS AND SHIMS

Shaped hole conversion kit:	7125 /
Key kit:	9323 /
Hardware kit:	9357 /
Punch shim:	1109-12 pk. / 1109-48 pk. / 1/16" thk./3 max.

*To order shaped unit w/ round punch & die, add suffix "-RPD".

	ROUND UNITS			*SHAPED UNITS			COMMON DIMS.		
	Model No.	Catalog No.	Price	Model No.	Catalog No.	Price	Throat Depth	Length A	Shipping Weight
BASE UNITS LESS PUNCH & PEDESTAL DIE	8AJ-2 1/2 P-LPD	14401P-LPD		8SAJ-2 1/2 P-LPD	14406P-LPD		8"	11"	31.5 lbs.
	12AJ-2 1/2 P-LPD	14402P-LPD		12SAJ-2 1/2 P-LPD	14407P-LPD		12"	15"	41.5 lbs.
	18AJ-2 1/2 P-LPD	14403P-LPD		18SAJ-2 1/2 P-LPD	14408P-LPD		18"	21"	48 lbs.
COMPLETE UNITS WITH PEDESTAL DIE (Includes Punch)	8AJ-2 1/2 P	14401P		8SAJ-2 1/2 P	14406P		8"	11"	34.5 lbs.
	12AJ-2 1/2 P	14402P		12SAJ-2 1/2 P	14407P		12"	15"	44.5 lbs.
	18AJ-2 1/2 P	14403P		18SAJ-2 1/2 P	14408P		18"	21"	51 lbs.

A SERIES



UNIPUNCH

Exacta Precision Ltd. Toll Free Tel: 1.800.268.5573 Email Info@exactapunch.com