

SPECIFICATIONS & OPERATING INSTRUCTIONS

OPERATING SHUT HEIGHT:	8-3/8" (212.7mm)
MIN. SHUT HEIGHT:	8-3/16" (208.0mm)
UNIT OPEN HEIGHT:	9-1/4" (235mm)
DIE HEIGHT:	3-1/2" (88.9mm)
MATERIAL FEED CLEARANCE:	1/2" (12.7mm)
MAX. MATERIAL THICKNESS (MILD STEEL):	1/4" (6.4mm)

MIN. DIE CLEARANCE:	.012" (.30mm)
MAX. PUNCH DIAMETER:	2.000" (50.80mm)
MIN. PUNCH DIAMETER:	.5000" (12.70mm)
MAX. SQUARE:	1.414" (35.92mm)
MIN. SHAPE DIMENSION:	.1250" (3.18mm)
MAX. MATERIAL THICKNESS (STAINLESS STEEL):	3/32" (2.4mm)

A-3 1/2"

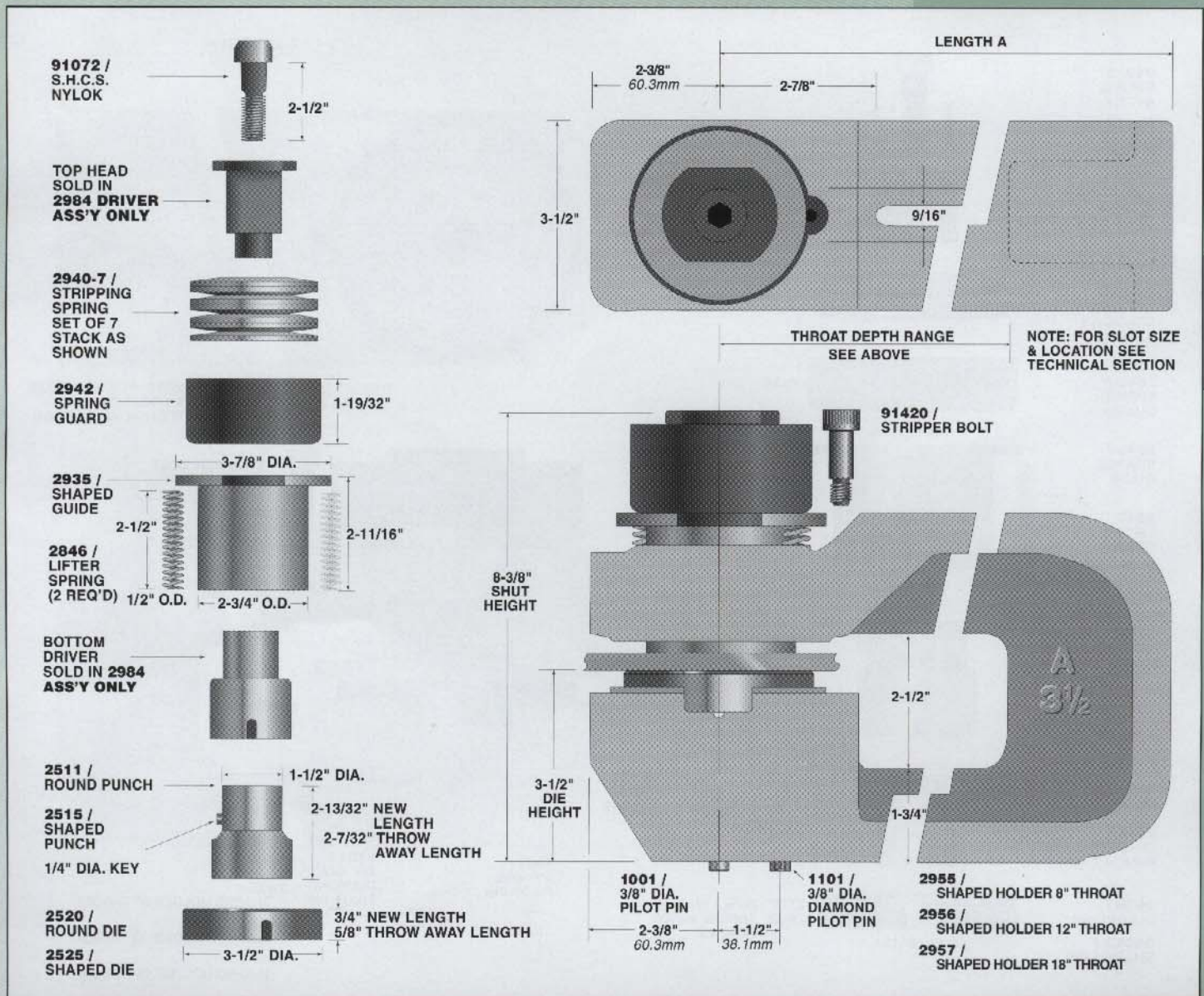
88.9mm width

KITS AND SHIMS

All A-3 1/2 units furnished with Shaped Driver and Guide	
Key kit:	9301 /
Hardware kit:	9354 /
Punch shim:	1109-12 pk. / 1109-48 pk. / 1/16" thk./3 max.
Die shim:	1095 / 1/16" thk./1 max.

	ROUND UNITS			*SHAPED UNITS			COMMON DIMS.		
	Model No.	Catalog No.	Price	Model No.	Catalog No.	Price	Throat Depth	Length A	Shipping Weight
BASE UNITS LESS PUNCH & DIE	8A-3 1/2-LPD	2900-LPD		8SA-3 1/2-LPD	2905-LPD		8"	11 3/4"	44 lbs.
	12A-3 1/2-LPD	2901-LPD		12SA-3 1/2-LPD	2906-LPD		12"	15 3/4"	54 lbs.
	18A-3 1/2-LPD	2902-LPD		18SA-3 1/2-LPD	2907-LPD		18"	21 1/4"	105.5 lbs.
COMPLETE UNITS (Includes Punch & Die)	8A-3 1/2	2900		8SA-3 1/2	2905		8"	11 3/4"	45.5 lbs.
	12A-3 1/2	2901		12SA-3 1/2	2906		12"	15 3/4"	55.5 lbs.
	18A-3 1/2	2902		18SA-3 1/2	2907		18"	21 1/4"	107 lbs.

*To order a shaped unit with round punch & die, add the suffix "- RPD"



A SERIES