

A-2 1/2"

63.5mm width

SPECIFICATIONS & OPERATING INSTRUCTIONS

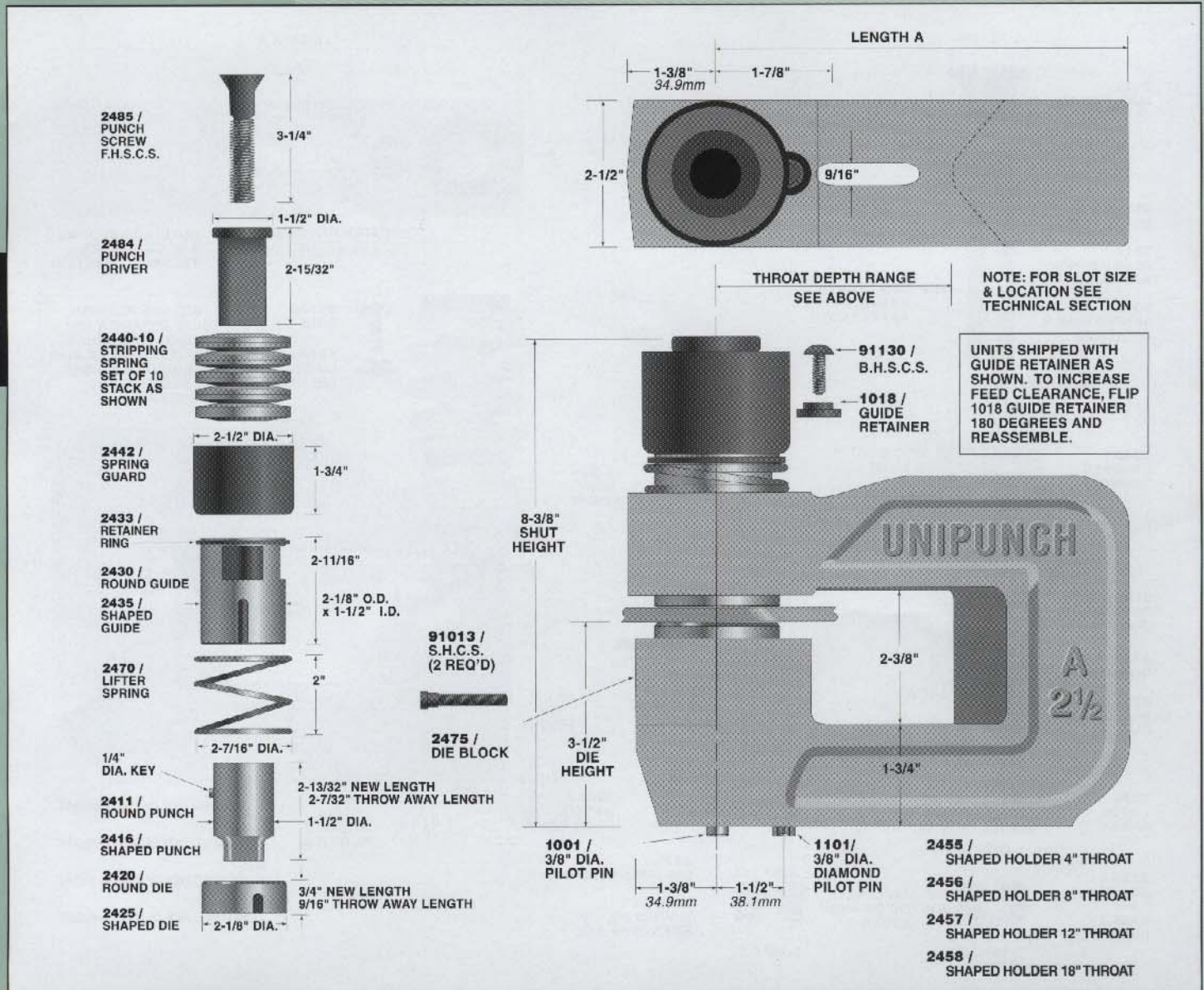
OPERATING SHUT HEIGHT:	8-3/8" (212.7mm)	MIN. DIE CLEARANCE:	.006" (.15mm)
MIN. SHUT HEIGHT:	8-3/16" (208.0mm)	MAX. PUNCH DIAMETER:	1.5000" (38.10mm)
UNIT OPEN HEIGHT:	9-1/8" (231.8mm)	MIN. PUNCH DIAMETER:	.2812" (7.15mm)
DIE HEIGHT:	3-1/2" (88.9mm)	MAX. SQUARE:	1.060" (26.92mm)
MATERIAL FEED CLEARANCE:	7/16" (11.1mm)	MIN. SHAPE DIMENSION:	.1250" (3.18mm)
MAX. MATERIAL THICKNESS (MILD STEEL):	1/4" (6.4mm)	MAX. MATERIAL THICKNESS (STAINLESS STEEL):	3/32" (2.4mm)

KITS AND SHIMS

Shaped hole conversion kit:	7115 /
Key kit:	9300 /
Hardware kit:	9396 /
Punch shim:	1109-12 pk. / 1109-48 pk. / 1/16" thk./3 max
Die shim:	1094-12 pk. / 1094-48 pk. / 1/16" thk./3 max.

	ROUND UNITS			*SHAPED UNITS			COMMON DIMS.		
	Model No.	Catalog No.	Price	Model No.	Catalog No.	Price	Throat Depth	Length A	Shipping Weight
BASE UNITS LESS PUNCH & DIE	4A-2 1/2-LPD	2400-LPD		4SA-2 1/2-LPD	2405-LPD		4"	7"	27.5 lbs.
	8A-2 1/2-LPD	2401-LPD		8SA-2 1/2-LPD	2406-LPD		8"	11"	33.5 lbs.
	12A-2 1/2-LPD	2402-LPD		12SA-2 1/2-LPD	2407-LPD		12"	15"	43.5 lbs.
	18A-2 1/2-LPD	2403-LPD		18SA-2 1/2-LPD	2408-LPD		18"	21"	50 lbs.
COMPLETE UNITS (Includes Punch & Die)	4A-2 1/2	2400		4SA-2 1/2	2405		4"	7"	28 lbs.
	8A-2 1/2	2401		8SA-2 1/2	2406		8"	11"	34.5 lbs.
	12A-2 1/2	2402		12SA-2 1/2	2407		12"	15"	44.5 lbs.
	18A-2 1/2	2403		18SA-2 1/2	2408		18"	21"	51 lbs.

*To order a shaped unit with round punch & die, add the suffix "- RPD"



UNIPUNCH

Exacta Precision Ltd. Toll Free Tel: 1.800.268.5573 Email Info@exactapunch.com